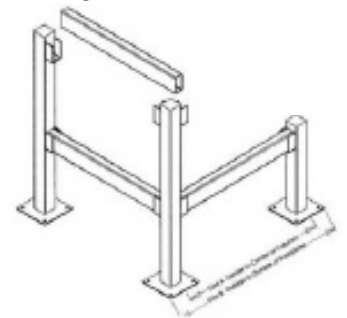


Collapsable Safety Barriers



Light-weight guard rails for easy lifting
Simple to install, add-on or custom size guard rail lengths in the field
"Lift-out" design allows temporary access to specific areas quickly & safely
Safety yellow powder coat finish
Rails: 2"x4"x11 guage steel tubing
Posts: 3"x3"x11 guage steel tubing columns, 8"x8"x1/4" steel baseplate, 9/16" mounting holes

- #WMPB4 MPB Rail 4'
- #WMPB6 MPB Rail 6'
- #WMPB8 MPB Rail 8'
- #WMPB10 MPB Rail 10'
- #WMPBP20 MPB 20" In-Line Post
- #WMPBP20C MPB 20" Corner Post
- #WMPBP20E MPB 20" End Post
- #WMPBP42D MPB 42" Double Rail In-Line Post
- #WMPBP42C MPB 42" Double Rail Corner Post
- #WMPBP42E MPB 42" Double Rail End Post

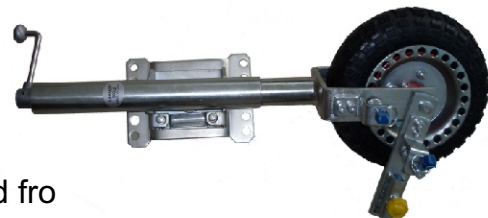


Ratchet Jockey Wheel

#VP8750R

Makes moving a caravan
child's play

To move caravan, simply move ratchet lever to and fro
Capacity: 350kgs



Saw Blade Sharpener

#PT10SBS

240V
Motor: 110W
Speed: 5300rpm
Grinding wheel dia: 10mm
Sharpens TCT & HSS blades: 100-400mm dia

